



MY STAR LAND GROUP

23 A Pryanishnikova, 127550, Moscow, Russia
 C/Padre Tomás Montanana , 36 -pta 246023 Valencia, Spain
 Tel/Fax:+7-495-9738083 , +34 960 91 58 00 , + 34 960 70 26 32
 Email:info@mystarland.com, sale@mystarlan.com
 Website:www.mystarland.com

TECHNICAL DATA SHEET

Northern Bleached Softwood Kraft Pulp

PULP CHARACTERISTICS

	Typical value	Spec
Brightness, ISO % ISO 2470-1	89,4	88-90
Impurities, mm ² /kg	1,0	
ISO 5350 Extractives, %		
SCAN-CM49:93	0,07	≤ 0,15
Ash content, % ISO 1762	0,11	≤ 0,20
pH ISO 6588	6,2	5,5-6,5

FIBRE CHARACTERISTICS

	Typical value
Fibre length, mm L&W Fibermaster	2,2
Coarseness, mg/m Metso FS5	0,16

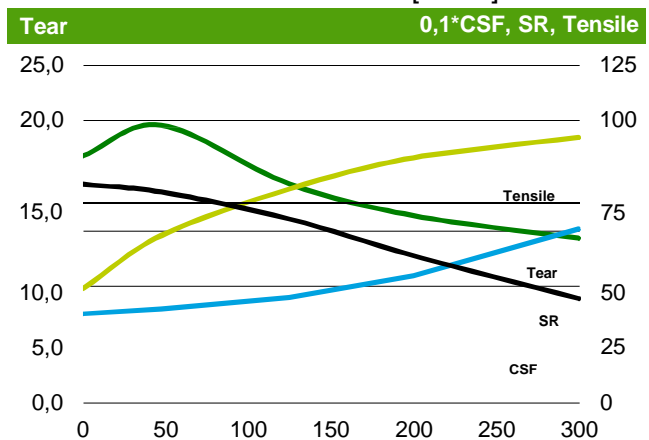
RAW MATERIAL

Softwood

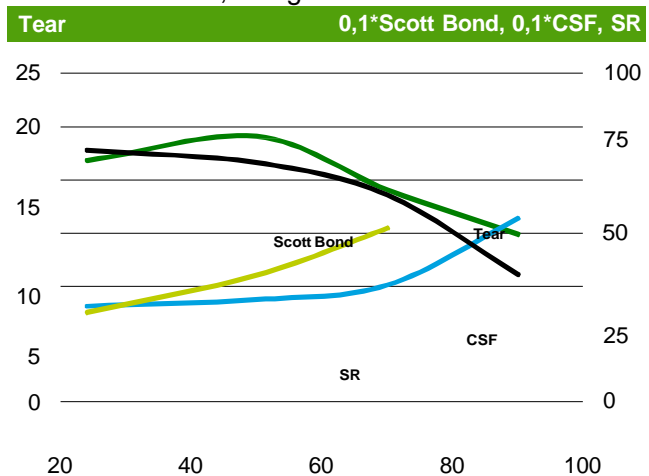
Pine (Pinus Silvestris), Spruce (Picea Abies)

Date of issue: 1.3.2015

SPECIFIC REFINING ENERGY [kWh/t]



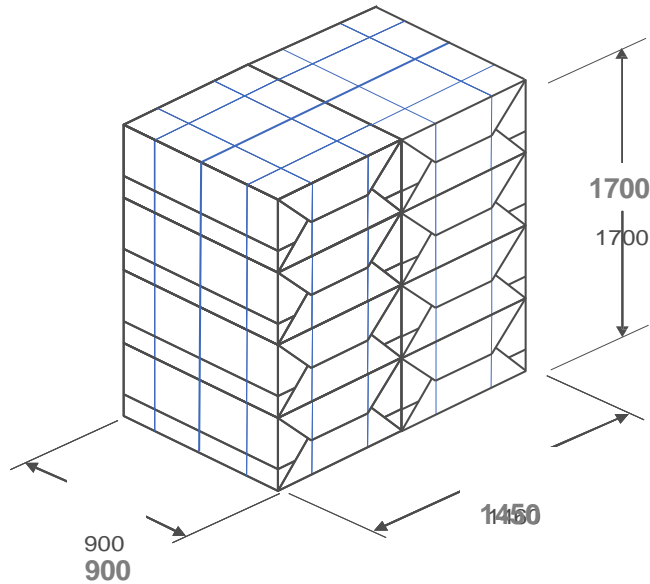
TENSILE INDEX, Nm/g



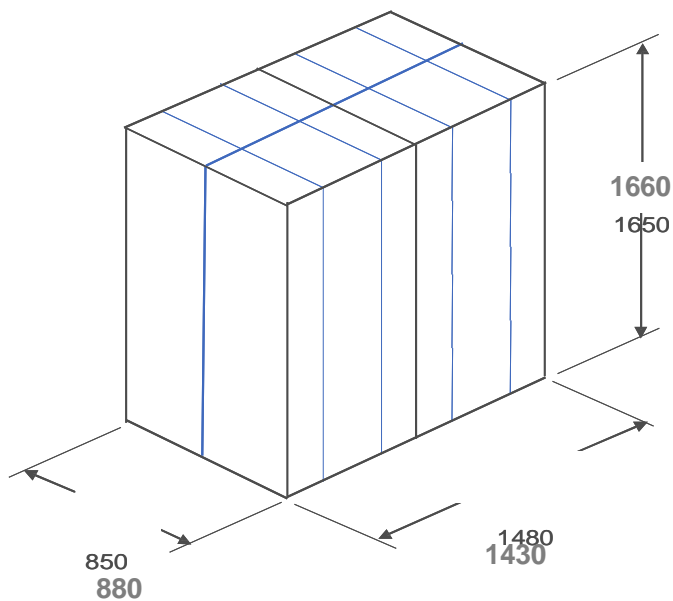
Specific Refining Energy	CSF	SR number	Tensile index	Stiffness index	Tear index	Scott Bond	Density	Opacity	Air res.
kWh/t	ml		Nm/g	Nm/g	mNm2/g	J/m ²	kg/m ³	%	s
0	712	13	24	3,7	16,8	102	576	72,1	1,5
47	677	15	48	5,7	19,6	225	628	68,2	2,1
124	555	20	69	7,2	14,3	409	692	64,8	8,5
199	390	30	83	8,2	11,4	562	735	62,4	63
299	195	51	92	8,9	9,4	0	789	59,7	903
54	665	15	50	5,8	19,1	242	634	67,9	2,7
129	544	20	70	7,3	14,1	419	695	64,6	12
273	246	45	90	8,7	9,9	0	775	60,4	684
126	552	20	69	7,2	14,2	411	693	64,7	9,4
163	163	25	76	7,7	12,8	489	714	63,5	37
200	387	30	83	8,2	11,4	0	736	62,4	73
149	500	23	74	7,5	13,3	460	706	64,0	27
194	400	29	82	8,1	11,6	552	732	62,6	59
245	300	40	87	8,5	10,5	0	760	61,2	449

Typical values are averages from all mill quality control samples during 2014. They are given in good faith to represent mill performance and do not constitute contractual undertaking. Values in the table are mean (indicative) values from pulp testing with Voith-Sulzer refining, using standard water. Specific Edge Load 2,5 J/m, ISO testing methods (H 50%, 23 °C, 60 gr/m² sheets).

Wrapped pack



Big bale unit configuration



Sheets

Size: 86 x 70 cm

Grammage: 1250 g/m²

Export unit configuration

Small bale

Size: 90 x 72 x 42,5 cm

Weight: 250 kg

Wrapping: Pulp sheets (unwrapped on demand)

Markings: Blue watersoluble inkjet printing.
Country, company name, product code and bale number on both sides.

Wires: 4 galvanized wires,
diameter 2,3 mm.

Small bale units

Size: 90 x 145 x 170 cm

Weight: 2000 kg (8 x 250 kg)

Wires: 7 or 8 galvanized wires,
diameter 3,0 mm

Jumbo unit configuration

Big bale

Size: 88 x 70 x 166 cm

Weight: 1000 kg

Wrapping: No wrapping

Markings: Blue watersoluble inkjet printing.
Country, company name, product code and bale number on both sides.

Wires: 2 or 3 galvanized wires,
diameter 2,3 mm.

Big bale units

Size: 88 x 143 x 166 cm

Weight: 2000 kg (2x1000 kg)

Wires: 7 or 8 galvanized wires,
diameter 3,0 mm